

PH-300

VERTICAL LIFTING PLATFORM

THE MOST EFFICIENT SOLUTION TO OVERCOME ARCHITECTURAL BARRIERS.

Designed to eliminate architectural barriers, facilitate integration and provide full autonomy to persons with impaired mobility, Hidral designs and manufactures the open shaft PH-300 Vertical Lifting Platform for short distances.

The PH-300 Platform is the ideal solution for uneven flooring and guarantees access to private buildings and public ones such as residential properties.

MAIN ADVANTAGES

- **Versatile.** No pit required. 180° and 90° entrance layouts. Connects to a regular supply point.
- **Easy access – more independence for the user.** Less entrance space is needed because of the ramp in the platform's lower boarding area which rises vertically and acts as a protective element. This protection element is automatic. The upper-level entrance door can also be automated as an option.
- **Revamped design, enhanced integration with the surroundings.** The glass-fronted door enables you to see whether the platform is in use from the upper or lower floors. The motorization is hidden in the door structure and the buttons are installed inside the frame with no additional visible wiring. The machine unit is integrated in a small cabinet located at the top in a discreet and functional fashion. Alternatively it can be installed in a separate area with no visual impact. The guide unit does not protrude above upper door level.

The logo for Hidral, featuring the word "Hidral" in a bold, blue, sans-serif font. The letter "i" is stylized with a yellow triangle above it, and the letter "l" is a solid yellow vertical bar.

YOUR PARTNER FOR PRODUCT RANGE

MAIN FEATURES

Location

The lift can be installed inside buildings or outdoors. It is usually positioned in lobbies and entrances, next to the staircase into the building, where a free space for the installation of the platform shall be required.

Outdoors, the electrical parts are supplied with IP54 protection, along with the platform, the guide unit and the upper door with high corrosion-resistant finishes.

Safety

- In accordance with Machinery Directive 2006/42/EC
- In accordance with standard ISO 9386-1
- Protective arms and fold-down ramp at ground-floor entrance. Both with synchronised movements that lock into place when the platform is moving*
- 1100mm barrier as a fixed protective element in the non entrance side*
- Overload detection system. A device to prevent the vehicle from overloading, with a visual and audible warning inside the vehicle
- Obstacle-avoidance mechanism. A safety device positioned underneath the platform to ensure that it stops if an obstacle is detected below it
- Upper-level entrance door with electric security lock in accordance with EN81 and door contact. Semi-automatic solution as standard; motorised version optional

*For distances of less than 500 mm the solution is easier and therefore cheaper: No protective arms, railings or upper-level entrance door required.

Finishes

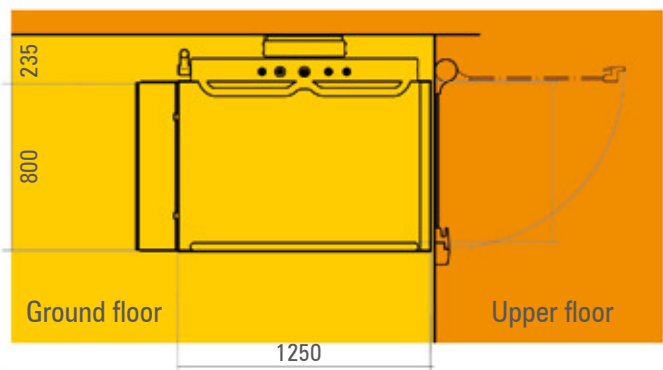
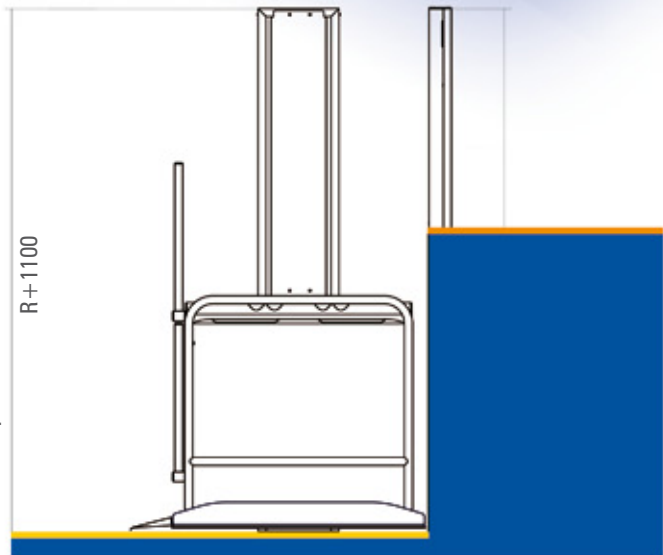
Platform painted in epoxy-polyester paint, colour light grey RAL 7035 as standard; consult for other colours. Also available in a stainless-steel equivalent finish.

Options

- Adaptation to the shaft. Boarding at 90° or platform with reduced width
- Glazed barrier
- Automatic door
- Surface mounted lower landing push button panel
- Wireless lower landing push button panel



Front view of the door on the upper floor



TECHNICAL DATA

Load	300 Kg
Speed	0,1 m/s
Platform dimensions (standard)	1250 x 800 mm (entrance at 180°)
Maximum travel	1500 mm
Entrance layout	180° y 90°
Upper-level door (standard)	800 x 1100 mm